

Functionality versus Practicality: Employing Existing Tools for Recovering Structural Design Patterns

Lutz Prechelt
Fakultät für Informatik
Universität Karlsruhe
D-76128 Karlsruhe, Germany
Phone: +49/721/608-4068, Fax: -7343
(prechelt@computer.org)

Christian Krämer
Kanthor AG, Karlsruhe, Germany
(Christian.Kraemer@kanthor.de)

Abstract: The object-oriented design community has recently begun to collect so-called *software design patterns*: descriptions of proven solutions common software design problems, packaged in a description that includes a problem, a context, a solution, and its properties. Design pattern information can improve the maintainability of software, but is often absent in program documentation.

We present a system called *Pat* for localizing instances of structural design patterns in existing C++ software. It relies extensively on a commercial CASE tool and a PROLOG interpreter, resulting in a simple and robust architecture that cannot solve the problem completely, but is industrial-strength; it avoids much of the brittleness that many reverse engineering tools exhibit when applied to realistic software. The contribution of our work is not so much in the engineering value represented by this concrete system, but in its methodological approach.

To evaluate *Pat*, we quantify its performance in terms of precision and recall. We examine four applications, including the popular class libraries *zApp* and *LEDA*. Within *Pat*'s restrictions all pattern instances are found, the precision is about 40 percent, and manual filtering of the false positives is relatively easy. Therefore, we consider *Pat* a good compromise: modest functionality, but high practical stability for recovering design information.

CR classification: D2.2 CASE, D.2.6, D.2.7 documentation, D.2.10 representation, I.5.5

General terms: Algorithms, Design, Measurement.

Keywords: design patterns, design templates, reverse engineering, search.

1 Design patterns for program understanding

The general problem of automatically recovering design intentions from program source code cannot be solved at all. Even partial solutions are extremely difficult. Not only is there an enormous number of possible design intentions and not only can each of them be realized in an enormous number of different ways, but also is any single hint that is available in the source program very small,

ambiguous, and unreliable. However, object-oriented programming and in particular software design patterns reduce the task, as they make much more design structure explicit in the source code.

Software design patterns, as introduced by Gamma et al. [GHJV95], Buschmann et al. [BMR⁺96] and others, are packaged descriptions of a common software design problem, its context, appropriate terminology, one or several solutions, and their advantages, constraints, and other properties. A design pattern packages expert knowledge and can be reused frequently and easily. Each pattern is a microarchitecture on a higher abstraction level than classes.

Design patterns are a rewarding target for reverse engineering: According to [BCC⁺96; GHJV95], design patterns improve communication, both between designers and from designers to maintainers, by defining a common design terminology. Hence, it is useful to recognize instances of design patterns in designs where they were not used explicitly or where their use is not documented. Recognizing them could presumably improve the maintainability of software, because larger chunks could be understood as a whole. In fact we have found in a controlled experiment [Pre97; PUPT98] that maintainers equipped with design pattern information solved maintenance tasks quicker or with fewer errors than a control group of maintainers having only detailed “normal” source code comments. This also indicates that it is not trivial for people to detect design patterns in software. Thus, a tool for automatic design pattern recovery would be useful.

Automatically finding all instances of all design patterns is still an impossible task, but design patterns open, for the first time, the possibility of a reasonable, yet low-complexity *partial* solution to design recovery. This is the purpose of the present work: to explore the low end of design recovery. How simple can the architecture of a tool be that still produces useful output? Can we realize a reasonable part of the possible functionality for a tiny fraction of the usual cost?

The advantage of this approach is practicality. Such a tool will be much more robust than a more complicated one. It can be made industrial-strength — able to dependably process realistic software — with modest effort.

Our contributions are threefold:

1. We present an approach of high simplicity for finding instances of structural design patterns in existing software (C++ in our example) and a tool, the *Pat* system.
2. We empirically show that despite its simplicity the approach solves a non-negligible part of the design pattern recovery problem for real-world software.
3. *Pat* serves as a case study of a methodological approach that does not strive for the best possible solution but for a good effort to result ratio.

Throughout most of this article we will use the term *pattern* to refer only to the solution used in a particular design pattern instance. More precisely this solution should be called an *instantiation of a design template for the design pattern*, but for simplicity we will usually stick to the term *pattern* or *pattern instance*.

We describe the general approach taken, the representation we used for patterns and software, and a quantitative evaluation of the system. Afterwards we discuss alternative approaches to the problem and related work.

2 Approach

2.1 Fundamental design decisions

The following central design decisions underlie our work:

- **D1:** Rely on existing tools as much as possible, in particular for processing the source code.
- **D2:** Prefer restricting the tool’s functionality over making it fragile.
- **D3:** Within its fundamental restrictions, make the tool freely extensible.

The consequence of D1 is using a commercial object-oriented CASE tool as a front-end and PROLOG as a search machine. The consequence of D2 is searching for structured design patterns only (i.e., patterns that hardly rely on specific behavior of methods, but are largely determined by the static structure of the classes instead) and limiting the search to only one implementation variant of each pattern. The consequence of D3 is encoding the pattern descriptions modularly.

2.2 The basic idea: How the *Pat* system works

We will use an example to explain how *Pat* works.

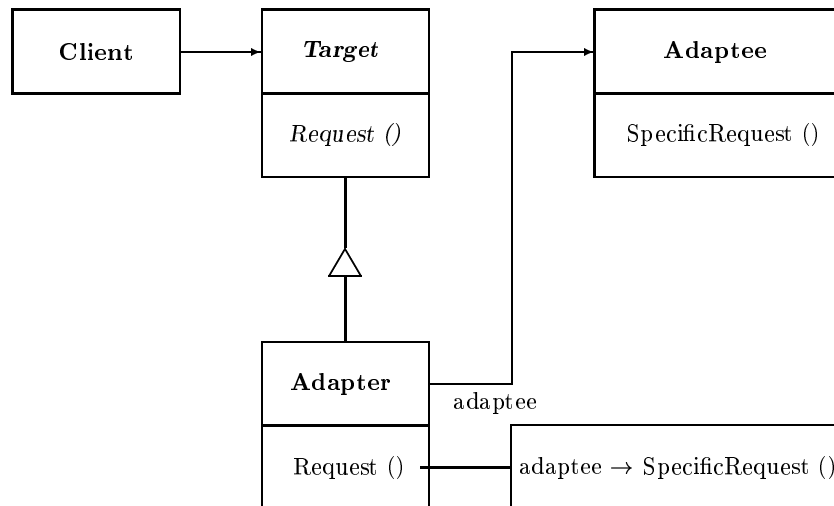


Figure 1: OMT diagram of the design pattern “Adapter”

See the description of an Adapter (more precisely: Object Adapter) in the OMT class diagram [Rum91] of Figure 1. The purpose of an Adapter is to provide an additional interface to an adapted class (called the adaptee), so that the adapter class can adhere to the calling conventions of a client but the interface of the adaptee need not be changed. The Adapter pattern requires that there are four classes *Client*, *Target*, *Adapter*, and *Adaptee*. *Adapter* must be a subclass

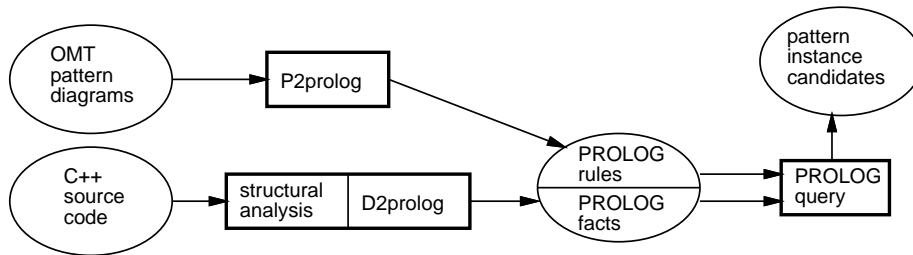


Figure 2: Architecture of the *Pat* system

of *Target* and must delegate *Client* calls to a method *Request* of the *Target* class to a method *SpecificRequest* (with different interface) of the *Adaptee* class. An *Adapter* instance needs an association (e.g. a pointer) to an *Adaptee* instance.

When looking for the Adapter pattern, search the C++ files of an existing software system for triples of *Target*, *Adapter*, and *Adaptee* that have methods corresponding to *Request* and *SpecificRequest* and have the association and delegation mentioned above. Any such constellation may represent an instance of the Adapter pattern to be found and should hence be output.

2.3 The *Pat* architecture

The fundamental design idea of *Pat* is to represent both patterns and designs in PROLOG and let the PROLOG engine do the actual search. The basic design information itself is extracted from source code by the structural analysis mechanism of a commercial CASE tool: *Paradigm Plus* [Pro94] is an object-oriented CASE tool that supports several methods and notations, one of them OMT. Modeling information is stored in an object repository and accessed by textual and graphical editors and an internal programming language. *Paradigm Plus* provides a structural analysis facility called “import” that extracts information about classes directly from C++ header files.

More concretely we proceed as follows (see also Figure 2):

1. Each pattern is represented as a static OMT class diagram (see Figure 1). These diagrams constitute the repository *P* (for “patterns”).
2. A straightforward program *P2prolog* converts *P* into PROLOG rules. The generated form is one rule for each pattern, representing design properties that are necessary but not sufficient to diagnose the pattern; see Section 3.2.
3. The structural analysis mechanism of *Paradigm Plus* extracts design information from C++ header files and stores it in the repository in OMT form. The resulting part of the repository is called *D* (for “design”).
4. Another straightforward program *D2prolog* converts *D* into PROLOG facts; see Section 3.1.
5. A PROLOG query *Q* detects all instances of design patterns from *P* in the examined design *D*. Duplicates of design patterns that often occur in the PROLOG output are removed. Manual postprocessing removes false positives; see Section 4.

Note that this approach searches for specific implementation forms of patterns, which are sometimes called *design templates*. Most design patterns can be im-

plemented by several different design templates. *Pat* as presented in this article uses only one template per pattern, but alternatives whose occurrence is expected could be added at will.

2.4 Implementation details

For the implementation we used *Paradigm Plus 2.01* [Pro94] and *Visual Prolog 4.0 Beta (Professional Version)* [Pro96].

The programs `P2prolog` and `D2prolog` are written in the BASIC dialect provided by *Paradigm Plus* and are executed directly by *Paradigm Plus* with direct access to its repository.

The resulting PROLOG program performs the search and generates one output line per pattern instance found. Each line has the form of a L^AT_EX macro call such as

```
\adapter{Target}{Adapter}{Adaptee}
```

The pattern instance list is then filtered for duplicates. Suitable L^AT_EX macros convert the resulting instances into graphical OMT form as shown above to provide a basis for a reverse-engineered design document.

3 PROLOG representation

3.1 Source code to PROLOG mapping

We represent the relevant information of C++ header files by PROLOG facts. Implementation files need not be consulted. As an example, the class declaration

```
class zPane:public zChildWin {
    zDisplay* curDisp;
    /* ... */
public:
    virtual void show(int=SW_SHOWNORMAL);
    /* ... */
};
```

would result in these PROLOG facts:

```
class(concrete, zPane).
inheritance (zChildWin, zPane).
association (zPane, zDisplay).
operation(virtual, zPane, show).
```

The following rules are applied for generating such facts:

Any class declaration of the form `class C { declarations }` results in a fact `class(ca, C)`. *ca* has the value `concrete` if there is at least one public constructor among the *declarations* and `abstract` otherwise. Any class declaration of the form `class C : B { declarations }` results in the same fact plus another fact `inheritance(B, C)`, or multiple such facts if multiple base classes are given. *Paradigm Plus* always treats inheritance as public.

A method declaration of the form `virtual Resulttype Method-name(parameterlist)` in the public part of the class *C* results in a fact of the

form `operation(virtual, C, Methodname)`. If the virtual modifier is missing, `normal` is used instead of `virtual`. Abstract functions (called “pure virtual” in C++) are also treated as `virtual`. If the `static` modifier is used, no fact is generated at all. Other method modifiers are ignored.

A pointer or reference data member declaration of the form `Typename *Membername` or `Typename &Membername` for any named type `Typename` in any part of the class `C` results in a fact of the form `association(C, Typename)`. The same is true for pointers to pointers and so on.

A non-reference data member declaration of the form `Typename Membername` for any named type `Typename` in any part of the class `C` results in a fact of the form `aggregation(C, Typename, exactlyone)`. If the member explicitly is an array, i.e., the declaration has the form `Typename Membername[]` or `Typename Membername[constexpression]`, it results in a fact of the form `aggregation(C, Typename, many)`. The same is true for multidimensional arrays. *Paradigm Plus* cannot detect associations or aggregations that are implemented by other than the above means, for instance by container classes or temporarily by method parameters.

All other header file content is ignored.

3.2 Patterns to PROLOG mapping

The PROLOG rule for each pattern gathers the facts required to diagnose a pattern instance. As an example, see again the Adapter pattern in Figure 1. *P2prolog* converts this OMT class diagram into the following PROLOG rule:

```
adapter(Target, Adapter, Adaptee) :-
    class(_, Target),
    class(concrete, Adapter),
    class(concrete, Adaptee),
    operation(virtual, Target, Request),
    operation(_, Adapter, Request),
    operation(_, Adaptee, SpecificRequest),
    inheritance(Target, Adapter),
    association(Adapter, Adaptee).
```

The underscore matches anything. This PROLOG rule describes necessary but not sufficient properties of classes for forming one kind of Adapter pattern instance. In addition, there may be multiple alternative rules for diagnosing different design templates representing the pattern.

The derivation of the PROLOG rules is straightforward, except for the following cases: First, classes that are abstract in the pattern are allowed to be either abstract or concrete in the software. Methods that are abstract in the pattern are required to be virtual, but not necessarily abstract (“pure virtual” in C++). Methods that are concrete in the pattern are allowed to be either virtual or normal.

Second, call delegation is not modeled at all, as *Paradigm Plus* does not detect it. For instance the Adapter pattern demands that there exists a delegation from a method `Adapter::Request` to `Adaptee::SpecificRequest`. However, because *Paradigm Plus* cannot extract delegations, the delegation must not be modeled in our PROLOG rule or else the rule could never be matched.

Third, the client is not modeled because an Adapter is still an Adapter if it occurs stand-alone without any actual client, e.g. in a library. Similar considerations apply for the PROLOG rules of the other design patterns.

Fourth, in patterns where there may be an arbitrary number of subclasses of a particular kind, only one such class is modeled in the rule, because that is sufficient to detect the pattern. See the Bridge, Composite, and Decorator patterns as examples.

Fifth, the actual names of classes, attributes, and methods are ignored.

Technically, the actual PROLOG rules used in *Pat* have two additions over the ones shown here. First, they contain local cuts (`getbacktrack/cutbacktrack` pairs) to restrict the rules to match one method per `operation` clause and ignore the rest. Second, classes are checked for inequality with clauses like `Adapter <> Adaptee` etc. to avoid senseless matches and combinatorial explosion.

Here are the PROLOG representations of the other four structural design patterns. If you are not familiar with these patterns, you may first want to read the short description of their purpose at the end of section 5.

A **Bridge** consists of at least four classes: the abstract *Abstraction* superclass, one or several *Refined Abstraction* subclasses, the abstract *Implementor* superclass, and one or several *Concrete Implementor* subclasses. Bridges can often be re-interpreted as instances of the *Strategy* pattern and vice versa.

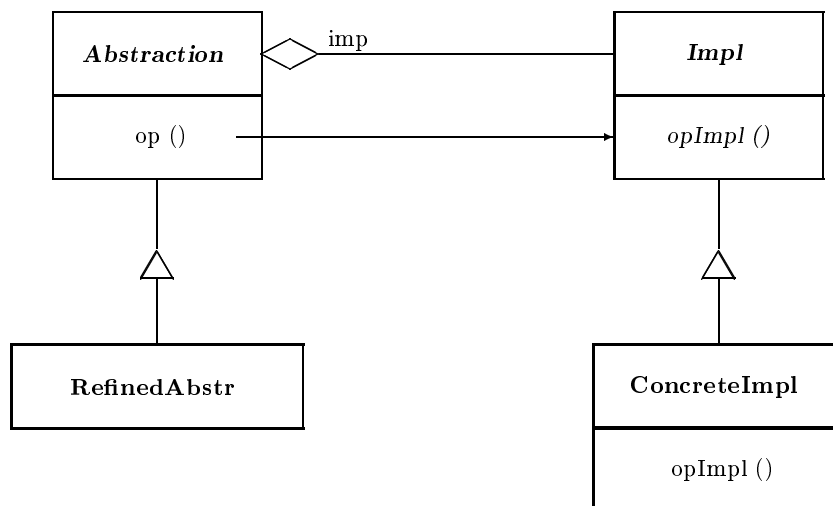


Figure 3: OMT diagram of the design pattern “Bridge”

```

bridge(Abstraction, RefinedAbstr, Impl, ConcreteImpl) :-
  class(_, Abstraction),
  class(concrete, RefinedAbstr),
  class(_, Impl),
  class(concrete, ConcreteImpl),
  operation(_, Abstraction, Op),
  operation(virtual, Impl, OpImpl),
  
```

```

operation(_,ConcreteImpl,OpImpl),
inheritance(Abstraction,RefinedAbstr),
inheritance(Impl,ConcreteImpl),
aggregation(Abstraction,Impl,exactlyone).

```

This rule does not model the delegation from `Abstraction::Op` to `Impl::OpImpl`.

A **Composite** consists of at least three classes: the abstract Component superclass, one or several Leaf subclasses, and one or several Composite subclasses.

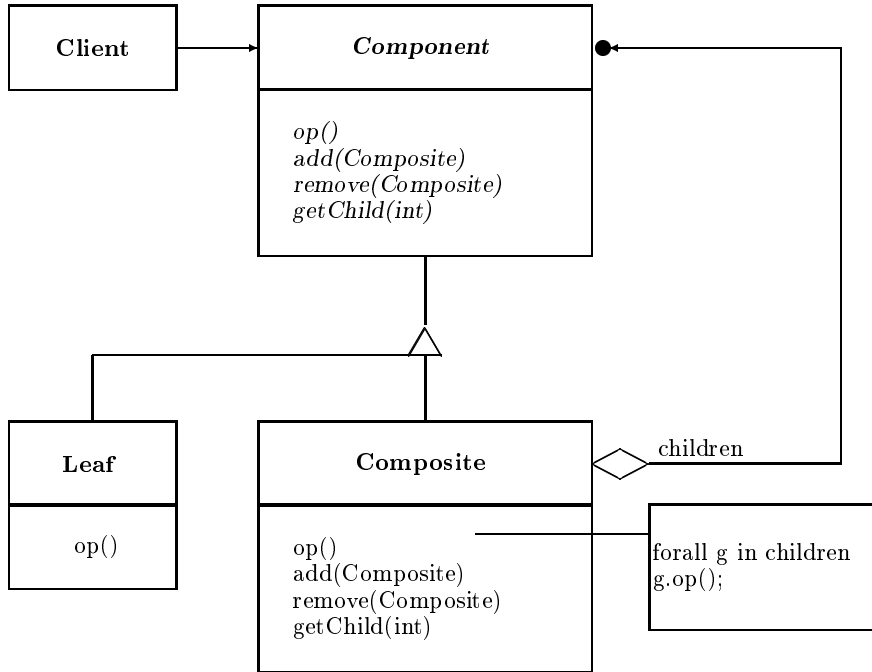


Figure 4: OMT diagram of the design pattern “Composite”

```

composite(Component,Leaf,Composite):-
class(_,Component),
class(concrete,Leaf),
class(concrete,Composite),
operation(virtual,Component,Op),
operation(_,Leaf,Op),
operation(_,Composite,Op),
operation(virtual,Component,Add),
operation(virtual,Component,Remove),
operation(virtual,Component,GetChild),
operation(_,Composite,Add),
operation(_,Composite,Remove),
operation(_,Composite,GetChild),
inheritance(Component,Leaf),
inheritance(Component,Composite),
aggregation(Composite,Component,many).

```


This rule ignores the fact that `Composite::Op` must have a loop of `Op` calls for all children. The semantics of `add`, `remove` and `getChild` are also ignored, because no such information is available. If several of the classes have many operations, the combinatorial explosion in the `operation` clauses of this rule makes the rule impractical. We then actually drop all `operation` clauses from the rule. As the method semantics are not checked anyway, this omission makes rarely any difference.

A **Decorator** consists of at least four classes: the abstract Component top class with a Concrete Component subclass and an abstract Decorator subclass; the latter has one or several further subclasses called Concrete Decorators.

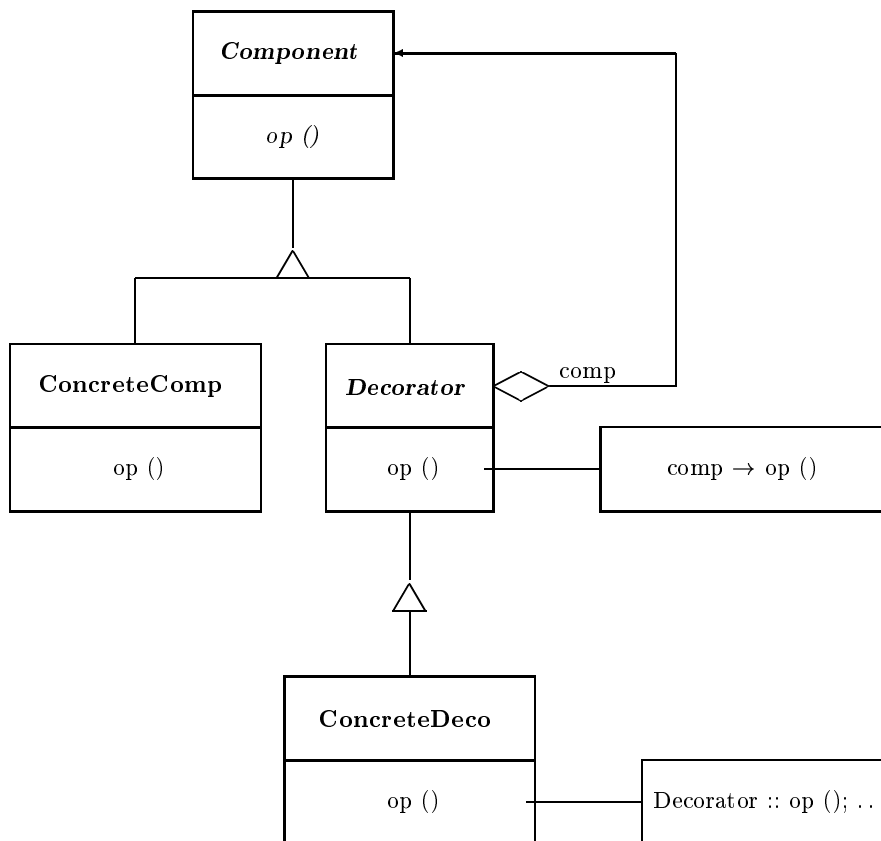


Figure 5: OMT diagram of the design pattern “Decorator”

```
decorator (Component, ConcreteComp, Decorator, ConcreteDeco) :-
  class (_, Component),
  class (concrete, ConcreteComp),
  class (_, Decorator),
  class (concrete, ConcreteDeco),
  operation (virtual, Component, Op),
  operation (_, ConcreteComp, Op),
```

```

operation(virtual,Decorator,Op),
operation(_,ConcreteDeco,Op),
inheritance(Component,ConcreteComp),
inheritance(Component,Decorator),
inheritance(Decorator,ConcreteDeco),
aggregation(Decorator,Component,exactlyone).

```

This rule ignores the delegations from `Decorator::Op` to `Op` of the decorator's aggregated component and the implementation of `ConcreteDeco::Op` as a call to `Decorator::Op` plus some decorator behavior.

A **Proxy** consists of three classes: a Real Subject class, its Proxy class and their abstract Subject superclass.

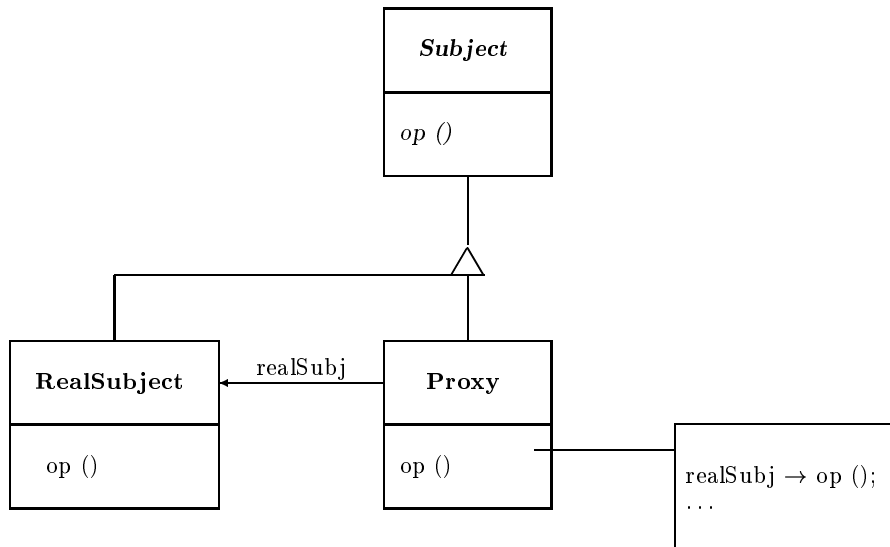


Figure 6: OMT diagram of the design pattern “Proxy”

```

proxy(Subject,RealSubject,Proxy):-
class(_,Subject),
class(concrete,RealSubject),
class(concrete,Proxy),
operation(virtual,Subject,Op),
operation(_,RealSubject,Op),
operation(_,Proxy,Op),
inheritance(Subject,RealSubject),
inheritance(Subject,Proxy),
association(Proxy,RealSubject).

```

This rule ignores the implementation of `Proxy::Op` as a delegation to `RealSubject::Op` plus some proxy behavior.

4 Evaluation

Three questions arise, given a design recovery system such as *Pat*:

1. What fraction of pattern instances is found?
2. What fraction of the output consists of false positives (spurious instances)?
3. How useful is the output for actual program understanding and maintenance tasks?

We cannot answer the third question at this time, as it requires a rather costly empirical study; a first experiment is described in Section 6, however.

We use the information retrieval measures called *precision* and *recall* [Hea78] to answer the first two questions.

Assume that *Pat* outputs P distinct pattern instance candidates. Assume further that the design analyzed actually contains T true pattern instances that are implemented by one of the design templates we search for and that F of these T are found by *Pat*. Then $precision := F/P$ and $recall := F/T$. Note that these numbers ignore pattern instances using design templates not in our rule set. We also measured the execution time needed for the automatic search and the time needed for human filtering of the results to remove false positives.

4.1 The benchmarks

Four different sets of classes were examined: Network Management Environment Browser (NME), Library of Efficient Datatypes and Algorithms (LEDA 3.0, [N92]), the zApp class library (zApp, [Inm94]), and Automatic Call Distribution (ACD). NME and ACD are telecommunication software developed at Computec¹, the other two are widely used class libraries.

None of these four benchmarks included explicit design information; all data was extracted from C++ header files as described above. Table 1 characterizes the size of the benchmark applications as found by the structural analysis step and as obtained from the D2prolog conversion. Except for NME, the size of the benchmarks is considerable.

	classes	attrib.	operat.	aggr.	assoc.	inherit.	kByte facts
NME	9	34	131	0	10	6	13
LEDA	150	501	4084	91	151	67	243
zApp	240	1176	3590	143	155	145	205
ACD	343	1506	2879	457	461	191	204

Table 1: Number of classes, attributes, operations, aggregations, associations, and inheritances found by *Paradigm Plus* in each of the applications and size of the generated PROLOG facts file in kByte.

4.2 Evaluation procedure and results

Each of the four resulting PROLOG facts files was used in a separate pattern search run. The results are summarized in Table 2. For each application and for each design pattern the table gives the number of pattern instances found by

¹ the former employer of the second author

the search mechanism (“found”) and the number of these that were not spurious (“true”). Below are total recall and precision values over all patterns and the runtime in seconds taken by the PROLOG program. As for the runtimes, the structural analysis and D2prolog steps take up to two hours, i.e., much longer than the actual pattern search.

	NME		LEDA		zApp		ACD	
	found	true	found	true	found	true	found	true
<i>Adapter</i>	2	1	1	0	20	≈12	150	≈69
<i>Bridge</i>	0	0	59	≈10	7	0	0	0
<i>Composite</i>	0	0	6	0	0	0	0	0
<i>Decorator</i>	0	0	3	0	0	0	0	0
<i>Proxy</i>	0	0	1	0	1	0	17	0
Recall	100%		≈100%?		100%		≈100%?	
Precision	50%		≈14%		≈43%		≈41%	
Prec. w. deleg.	100%		≈53%		100%		100%	
Runtime	1 sec		2 sec		3 sec		36 sec	

Table 2: Number of pattern instances found by *Pat* and approximate number of true instances, resulting recall, precision, and PROLOG runtimes measured on a PCI-Bus PC with Pentium P133 and 32 MByte RAM under Windows 95.

Recall: Obviously, when computing recall, structurally different alternative implementations of the patterns have to be taken out of account, as *Pat* cannot possibly find them in the given setup, but would find them with appropriate additional rules. Given this restriction, how high is *Pat*’s recall? Except for NME, we had no definitive information about the set of patterns actually used in the programs. However, for NME we know and for zApp we believe, judging from the documentation, that *Pat* achieved full recall. In LEDA and ACD recall is unknown, because *Pat* may have missed some patterns for the following reason.

The recognition of a pattern may fail (only) due to an undetected aggregation. An aggregation will go undetected if either (1) it looks like an association or (2) it is completely hidden due to the use of a container type for its implementation, such as a Vector or Bag class. We have checked² that case (1) does not lead to any undetected pattern, but case (2) may have occurred. Even so, case (2) is probably relevant only for the Composite pattern, as it is the only one that requires an aggregation of multiple objects. Thus, recall is most probably close to 100 percent even for LEDA and ACD.

Precision: Because our pattern rules do not represent sufficient conditions for pattern instances, precision is not perfect. Some constructions will lack required (but unchecked) properties, yet be returned, incorrectly, as pattern instances.

How does one decide what is such a false positive and what is a true pattern instance? We took the following approach: (1) In many cases false positives are obvious when the class and method names clearly indicate unrelated classes.

² The check was made by re-running all four experiments with an additional rule that allowed to interpret any association as an aggregation. This led to more than twice as much output, none of which contained any additional pattern instances.

(2) In other cases correct pattern instances are obvious via class and method names indicating the semantics required by the pattern. In the remaining cases, the pattern instance has to be checked by manually consulting (3) available documentation or (4) source code. It turns out that plausibility checks of pattern instance candidates can often be done quite rapidly using only methods (1) through (3). We applied methods (1) and (2) for all projects and also method (3) for LEDA and zApp. We did not check source code at all.

Our evaluation approach implies that the precision values in Table 2 are approximations. The line labeled ‘precision’ in Table 2 gives the precision values that result directly from dividing ‘true’ by ‘found’. The line labeled ‘prec. deleg.’ shows precision values that would result if *Paradigm Plus* were able to detect all simple call delegations and our pattern rules contained checks for them, making most of the false positives disappear — all spurious Adapters and Bridges lack the correct delegations. The following sections discuss additional aspects of interest for each of the four benchmarks.

NME: The original designer of the software confirmed that *Pat* found one true and one spurious Adapter. The spurious Adapter would have been rejected had delegations been checked.

LEDA: We decided which of the pattern instances to consider correct by consulting the LEDA manual. This work took about one hour for a programmer without prior knowledge of LEDA. 56 of the 59 Bridges occur because each of the 8 classes `circle`, `line`, `p_dictionary`, `point`, `polygon`, `real`, `segment`, `string` (all subclasses of `handle_base`) seems to form a Bridge with each of the 7 classes `circle_rep`, `line_rep`, `point_rep`, `polygon_rep`, `rrep`, `segment_rep`, and `string_rep` (all subclasses of `handle_rep`). If *Pat* could check for the correct delegations, only the correct 7 of these 56 pairs should remain. The 6 false Composites were found by a relaxed rule (without operation clauses) as described in Section 3.2.

zApp: The evaluation of the output for zApp was also done with the manual. This work took one hour. All of the false positives could have been suppressed by checking for correct delegations in the Adapter candidates. Surprisingly, there is neither a Composite nor a Decorator in zApp, although it is a GUI library. But zApp does indeed not use the Composite concept of handling containers and basic components in the same way nor the Decorator concept of transparently attaching additional functionality to an object.

ACD is a large project and created so much output that we were unable to check correctness completely. Instead, we relied on conservative common sense judgement from the class names combined with another plausibility check: In the case of the Adapters we assumed that exactly those are correct where the name of `Request` is similar to the name of `SpecificRequest`. In the case of proxies we drew conclusions from the class names alone; no Proxy seems to be in ACD. Evaluating the solutions for ACD in this manner took 30 minutes.

5 Design alternatives

While *Pat* performs quite well, there are other ways of recovering design patterns from code. In this section, we discuss and relate the fundamentally different approaches. Basically, there are three kinds of information to identify design

pattern instances.

First, *information on declarations and the “uses”-relation* can be extracted using basic compiler techniques (scanning, parsing, name resolution). This is the approach used by the *Pat* system and allows to rely on CASE tool functionality. For languages offering built-in reflection, such as Java, it can even be implemented easily without the help of any tool. Such information can be used for finding structural matches. Structural comparison is insufficient for finding those design patterns that rely on particular behavior of methods (behavioral patterns). It is sufficient, however, for design patterns that rely mostly on static aspects of software composition (structural patterns).

Second, *the semantics of the program* can be partially analyzed using advanced compiler and program analysis techniques (interprocedural data dependence and data flow analysis, alias analysis etc.). In principle, semantic information could identify instances of behavioral patterns, not only structural patterns, and could sort out false positives of structural patterns. However, there are two problems. (1) As program semantics and pragmatics are in general not computable, the analysis techniques will consist of complex heuristics that make the search program difficult to create and extend, make it dependent on programming style, and make its performance unpredictable. (2) Some of the concepts underlying design patterns are vague (for instance “call delegation”). Therefore, whichever heuristic formalization is used, counterintuitive results may occur. Furthermore, C++ is notoriously difficult to analyze, due to its terse syntax, complex semantics, and the preprocessor. This approach exhibits more of the complexity of general program understanding and may produce less leverage from the specificity of design patterns.

Third, the *names of classes, methods, and attributes* expected in a particular design pattern could be matched against software using a heuristic abbreviation recognizer and thesaurus etc. For some programs, names may provide a useful shortcut to program semantics so that heuristic name analysis could be a useful complement to the above techniques. In particular, name analysis would work best for behavioral aspects of the program. However, name analysis is inherently unreliable and extremely sensitive to the naming conventions used, if any. Therefore, it might make performance even more unpredictable.

We chose to use only the first approach, which achieves the maximum ratio of performance to construction effort. It results in a simple, efficient, and relatively robust system. In particular, we can use commercially available building blocks for the analysis and deduction parts, thus further reducing the complexity and increasing the quality of the implementation. This architecture limits the covered set of design patterns to structural patterns; behavioral patterns cannot be found this way.

However, such a reduced search space is still useful. From a reverse engineering point of view, finding instances of these patterns yields the following information. *Adapter* instances signal where classes are used in multiple contexts, requiring different interfaces. *Bridge* instances show where the interface and the implementation of a module are encapsulated in separate classes, so that both can be changed independently; Bridges indicate reuse or places where much change is expected. Bridges may also indicate instances of the closely related *Strategy* pattern, which allows changing the implementation of an operation at run time. *Composite* and *Decorator* instances signal easily extensible areas

of a program where collections of components or extended versions of components are handled like basic components alone. *Proxy* instances indicate where a surrogate of a (very large?) object was used instead of the object itself or where functionality was added to an object transparently, for example firewall, encryption, or caching functionality.

Nevertheless from the reverse engineering point of view, it is clearly desirable to extend the scope of the pattern search. Semantic information and name analysis may both be viable and useful means for recovering behavioral design patterns and should be pursued in further work.

6 Related work

As discussed above, *Pat* does not strive for detailed program understanding or general design recovery as some other advanced work in reverse engineering does, for instance that of Biggerstaff, Mitbander, and Webster [Big89; BMW94] or the classical work of Rich and Waters [RW90]. In those cases, a wide gap has to be closed from the syntactic representation of the program (and maybe other artifacts) to the understanding of semantics and pragmatics. When searching for structural design patterns, this gap is much smaller for three reasons. First, the rich syntax of object-oriented languages contains much information about architectural features of design patterns, such as inheritance relations, associations and aggregations. We do not attempt to analyze software in non-oo languages. Second, the semantics of a structural design pattern are closely coupled to its syntactic representation and therefore easy to recognize (except for the problem of false positives, see Section 4). Third, a small set of possible pragmatic intentions is packaged in the description of a design pattern. Therefore, structural design patterns allow for inferring program pragmatics from syntactic source code features with simple machine deduction and a modest amount of additional interpretation by the user. In particular, design pattern search, at least for structural patterns, does not call for automatic concept assignment and the output is useful without a domain model. For these reasons we find it worthwhile to investigate the leverage that can be gained from design patterns in program understanding, using much simpler program analysis techniques than were required previously; searching for structural design patterns has a good price/performance ratio.

Design patterns are a young field and currently they are mostly used for understanding and communicating during the *invention* of designs. Work is also beginning towards creating tool support for handling design pattern instances as explicit design and program entities. Such tools can be focused on patterns [BFVY96] or incorporate patterns within a broader perspective [FMvW97]. In the far future, programs constructed with such tools may make design pattern recovery much easier, because they can reliably document pattern instances created in the code. The tool of [FMvW97] also supports semi-automatic reverse engineering of non-documented pattern instances. Forward engineering using patterns is particularly popular in the context of component architectures [NM95].

Several pattern practitioners [BCC⁺96] agree that one of the largest benefits of design patterns is their use as a means of communication and understanding. This observation suggests that finding patterns in existing designs should make understanding these designs easier.

The conservative, controlled experiment mentioned above has recently corroborated this assumption [Pre97; PUP98]. Two groups of subjects received the same program and were asked to outline how they would make a certain program change. The program for one of the groups had its design patterns documented in addition to thorough, conventional program documentation. For the other group, the pattern documentation was missing. The experiment was repeated with two different programs in a counterbalanced design. For one program, the solutions of both groups were of similar quality, but the group with pattern documentation finished significantly faster. For the other program, the group with pattern documentation produced a completely correct solution twice as often as the group without pattern documentation.

7 Conclusion

Automated search for instances of structural design patterns can be implemented by a rather simple software architecture, exemplified by our system *Pat*. The key to this simplification is building on structural analysis capabilities of a commercial ooCASE tool and the search capabilities of PROLOG, thereby making the implementation small, reliable, and efficient. The approach restricts the search capabilities to structural (as opposed to behavioral) design patterns, but exhibits an extremely good effort to performance ratio. As a methodological contribution, we consider *Pat* a case study and suggest that a similar type of approach may be viable and useful in many other software contexts as well. Further research should investigate where such approaches can be applied and with which results.

In our case, the resulting performance can be summarized as follows. Often all design pattern instances within *Pat*'s search space are recovered from the C++ source code. In addition, the *Pat* output contains a number of false positives. In our four benchmark applications, detection precision is between 14 and 50 percent. Overall, this precision is acceptable. The remaining false positives can be sorted out with a modest amount of manual work (typically a few minutes per resulting pattern instance). We conclude that our approach is a fast and simple partial solution to recovering design pattern information from source code.

Automatic detection of design pattern instances is probably a useful aid for maintenance purposes — for quickly finding places where extensions and changes are most easily applied. *How* useful automatic pattern finding is should be the subject of further study.

Further work should also explore how name analysis and/or semantic analysis can be employed to detect behavioral patterns in addition to structural ones. We are currently building a software exploration tool covering parts of all three techniques, plus software metrics, and will possibly perform an empirical investigation of its usefulness in a controlled experiment with human subjects.

References

- [BCC⁺96] K. Beck, J.O. Coplien, R. Crocker, L. Dominick, G. Meszaros, F. Paulisch, and J. Vlissides. Industrial experience with design patterns. In *18th Intl. Conf. on Software Engineering*, pages 103–114, Berlin, March 1996. IEEE CS press.

- [BFVY96] F. J. Budinsky, M. A. Finnie, J. M. Vlissides, and P. S. Yu. Automatic code generation from design patterns. *IBM Systems Journal*, 35(2):151–171, 1996.
- [Big89] Ted J. Biggerstaff. Design recovery for maintenance and reuse. *IEEE Computer*, 22(7):36–49, July 1989.
- [BMR⁺96] Frank Buschmann, Regine Meunier, Hans Rohnert, Peter Sommerlad, and Michael Stal. *Pattern-Oriented Software Architecture — A System of Patterns*. John Wiley and Sons, Chichester, UK, 1996.
- [BMW94] Ted J. Biggerstaff, Bharat G. Mitbander, and Dallas E. Webster. Program understanding and the concept assignment problem. *Communications of the ACM*, 37(5):72–83, May 1994.
- [FMvW97] Gert Florijn, Marco Meijers, and Pieter van Winsen. Tool support for object-oriented patterns. In Mehmet Aksit, editor, *11th European Conference on Object-Oriented Programming (ECOOP)*, LNCS 1241, pages 472–495, Jyväskylä, Finland, June 1997. Springer Verlag.
- [GHJV95] Erich Gamma, Richard Helm, Ralph Johnson, and John Vlissides. *Design Patterns: Elements of Reusable Object-Oriented Software*. Addison-Wesley, Reading, MA, 1995.
- [Hea78] H.S. Heaps. *Information Retrieval*. Academic Press, 1978.
- [Inm94] Inmark Development Corporation, Mountain View, CA. *zApp Programmer's Guide*, 1994.
- [N92] Stefan Näher. *LEDA User Manual Version 3.0*. Fachbereich Informatik, Universität des Saarlandes, Saarbrücken, Germany, 1992.
- [NM95] Oscar Nierstrasz and Theo Dirk Meijler. Research directions in software composition. *ACM Computing Surveys*, 27(2):262–264, June 1995.
- [Pre97] Lutz Prechelt. An experiment on the usefulness of design patterns: Detailed description and evaluation. Technical Report 9/1997, Fakultät für Informatik, Universität Karlsruhe, Germany, June 1997. ftp.ira.uka.de.
- [Pro94] ProtoSoft Inc., Houston, TX. *Paradigm Plus 2.01 Reference Manual*, 1994.
- [Pro96] Prolog Development Center, Brøndby, Denmark. *Visual Prolog 4.0 (Professional Version)*, 1996.
- [PUPT98] Lutz Prechelt, Barbara Unger, Michael Philippsen, and Walter F. Tichy. Two controlled experiments assessing the usefulness of design pattern information during program maintenance. 1998. Submitted. <http://www-ipd.ira.uka.de/~prechelt/Biblio/>.
- [Rum91] James Rumbaugh. *Object-Oriented Modeling and Design*. Prentice-Hall, Englewood Cliffs, NJ, 1991.
- [RW90] Charles Rich and Richard C. Waters. *The Programmer's Apprentice*. Frontier Series. acm press, Addison-Wesley, New York, NY, Reading, MA, 1990.